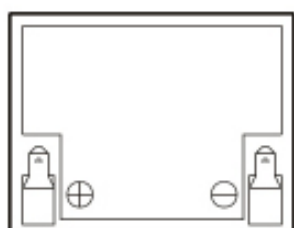
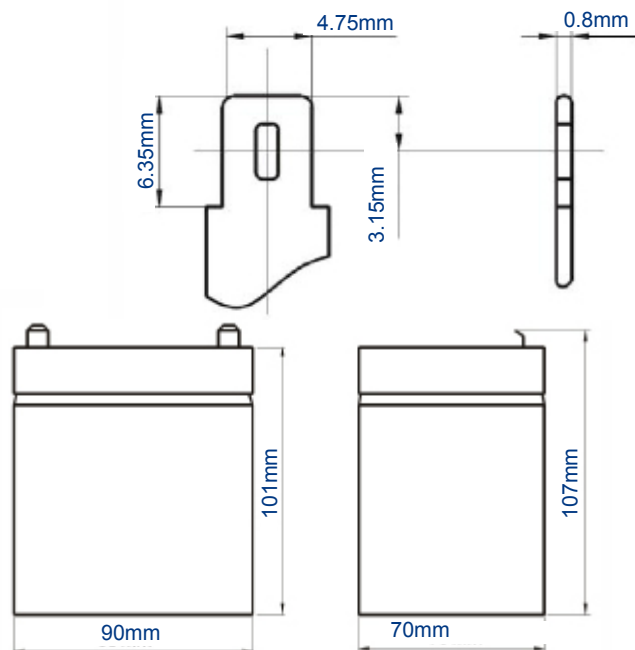


UL 4-12  
12V 4AH

**Ultracell®**  
'Quality in Every Language'



### Terminal Type

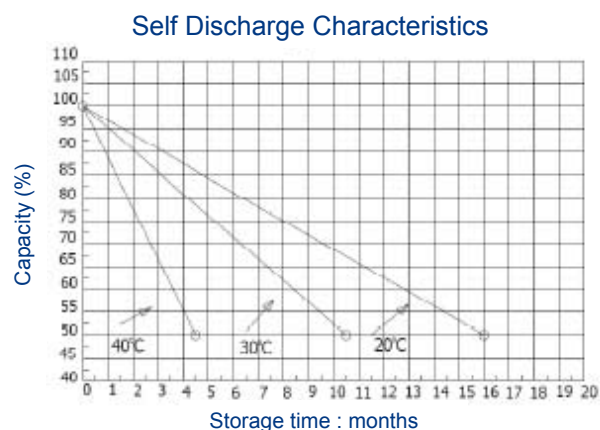
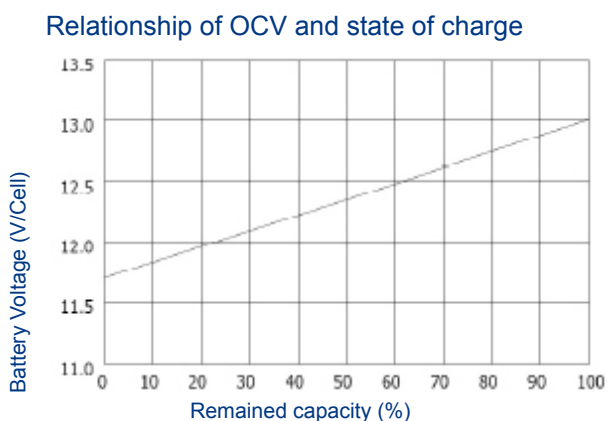
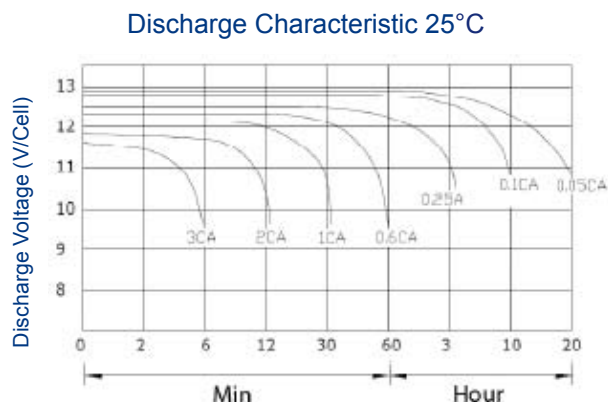
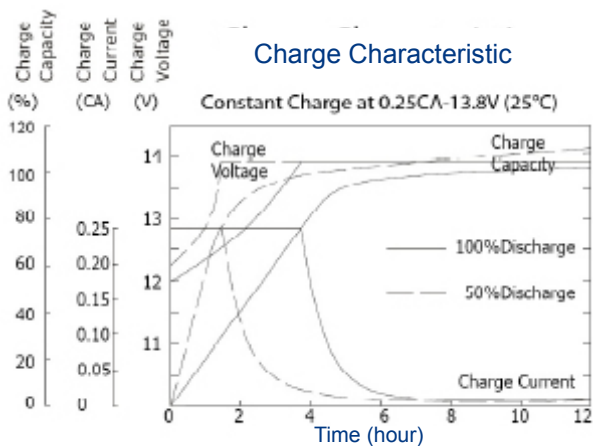


### Specifications

|                                  |   |                     |                       |                   |
|----------------------------------|---|---------------------|-----------------------|-------------------|
| Battery Model                    | UL 4-12                                   |                     |                       |                   |
| Designed Floating Life           | 5 Years                                   |                     |                       |                   |
| Capacity (25°C)                  | 20HR (0.20A, 1.75V)                       | 10HR (0.38A, 1.75A) | 5HR (0.68A, 1.75A)    | 1HR (2.4A, 1.75A) |
|                                  | 4.0AH                                     | 3.8AH               | 3.4AH                 | 2.4AH             |
| Dimensions                       | Length                                    | Width               | Height                | Total Height      |
|                                  | 90mm                                      | 70mm                | 100mm                 | 105mm             |
| Approx. Weight                   | 1.60kg                                    |                     |                       |                   |
| Internal Resistance              | Fully Charged at 25°C 0.02 Ohm            |                     |                       |                   |
| Self Discharge                   | 3% of capacity declined per month at 25°C |                     |                       |                   |
| Capacity Affected by Temperature | 40°C                                      | 25°C                | 0°C                   | -15°C             |
|                                  | 102%                                      | 100%                | 85%                   | 65%               |
| Charge Voltage (25°C)            | Cycle Use                                 |                     | Float Use             |                   |
|                                  | 14.4-14.8V (-30mV/°C), max.Current: 2.16A |                     | 13.6-13.8V (-20mV/°C) |                   |

### Construction

|                                    |                                  |                                   |                  |
|------------------------------------|----------------------------------|-----------------------------------|------------------|
| Component                          | - Raw material                   | Sealant                           | - Epoxy Resin    |
| Positive                           | - Lead dioxide                   | Safety Valve                      | - EPDR           |
| Negative                           | - Lead                           | Terminal                          | - Copper         |
| Container                          | - ABS (Flame Retardent optional) | Separator                         | - Fibre Glass    |
| Cover                              | - ABS (Flame Retardent optional) | Electrolyte                       | - Sulphuric acid |
| Sealed and maintenance free option |                                  | Non-spillable construction design |                  |



### Constant Current Discharge Ratings - amperes at 25°C

| F.V / Time | 5MIN | 10MIN | 15MIN | 30MIN | 1HR  | 3HR  | 5HR  | 10HR | 20HR |
|------------|------|-------|-------|-------|------|------|------|------|------|
| 1.60V      | 15.7 | 9.72  | 7.33  | 4.48  | 2.40 | 2.16 | 0.72 | 0.41 | 0.22 |
| 1.67V      | 14.7 | 9.23  | 7.10  | 4.29  | 2.37 | 1.09 | 0.71 | 0.40 | 0.21 |
| 1.70V      | 13.5 | 8.89  | 6.89  | 3.89  | 2.29 | 1.00 | 0.70 | 0.39 | 0.21 |
| 1.75V      | 13.3 | 8.63  | 6.66  | 3.70  | 2.16 | 0.97 | 0.68 | 0.38 | 0.20 |
| 1.80V      | 11.8 | 8.21  | 6.06  | 3.43  | 2.01 | 0.94 | 0.67 | 0.38 | 0.20 |
| 1.85V      | 10.5 | 7.82  | 5.43  | 3.14  | 1.85 | 0.91 | 0.65 | 0.37 | 0.20 |

### Constant Power Discharge Ratings - watts at 25°C

| F.V / Time | 5MIN | 10MIN | 15MIN | 30MIN | 1HR  | 3HR  | 5HR  | 10HR | 20HR |
|------------|------|-------|-------|-------|------|------|------|------|------|
| 1.60V      | 32.0 | 20.8  | 16.0  | 9.20  | 5.20 | 2.03 | 1.38 | 0.77 | 0.41 |
| 1.67V      | 31.0 | 20.4  | 15.7  | 9.12  | 5.15 | 2.02 | 1.37 | 0.77 | 0.41 |
| 1.70V      | 29.7 | 20.0  | 15.3  | 8.98  | 5.09 | 2.00 | 1.37 | 0.76 | 0.40 |
| 1.75V      | 27.9 | 19.2  | 14.9  | 8.78  | 5.00 | 1.98 | 1.36 | 0.76 | 0.40 |
| 1.80V      | 24.2 | 17.8  | 14.2  | 8.47  | 4.85 | 1.94 | 0.34 | 0.75 | 0.39 |
| 1.85V      | 23.0 | 16.5  | 13.6  | 8.10  | 4.72 | 1.91 | 0.32 | 0.75 | 0.39 |